

Installation Guide

VARAD License Plate Lighting Kit

RCN200, RCN203, RCN204, RCN205

Parts Included: See Diagram 1

1. Driver with 9 volt battery connector.
2. Two license plate frames.
3. Two 8" pieces of Electroluminescent Cable.
4. Four pieces of foam tape.
5. License plate decals.

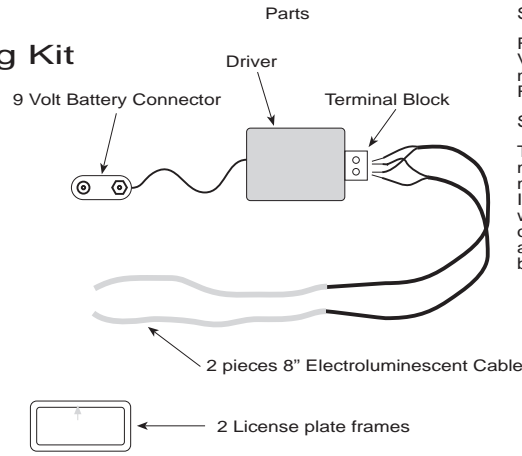
Parts Required:

1. 9 Volt battery.

Before you begin

HIGH VOLTAGE! - The driver used for this product is a very high voltage device. Be sure to read and follow the guidelines below for safe and enjoyable fun.

1. Do not connect the battery to the driver until the license plates have been installed and connected to it.
2. Do not touch the terminals with hands or tools when the license plates are turned on.
3. Do not attempt to open the driver. Failure to do so shall void warranty.

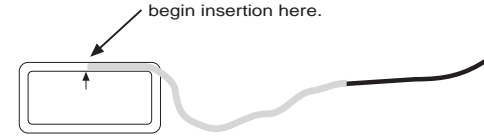


Step 1: Install driver and 9 Volt Battery

Find a suitable location for installation of the driver and 9 Volt battery. It is recommended that both pieces be installed next to each other for convenience. The best location on an R/C car body are on the inside surface of the roof.

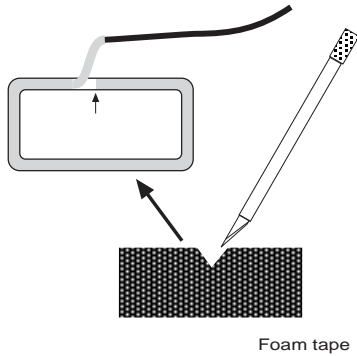
Step 2: Assemble Neon License Plate

To begin assembling you will first need to identify the arrow mark on the back of each license plate frame. This arrow mark identifies the start location for inserting the Cable. Insert the Cable starting at the arrow mark and work your way all around the frame. You can use a flat piece of plastic or object to insert the Cable completely down. Do not use any sharp objects as this will cause damage. See diagram below



Step 3: Trim and apply foam tape

Apply a piece of foam tape to the back of each neon license plate. It may be necessary to trim the tape with a small V-groove for clearance of the Cable. See diagram below.



Foam tape

Step 4: Drill hole in body

Before you drill any holes in your body you will need to determine the exact location you want to install the neon license plate. After deciding the location mark the drill location with a permanent marker. Warning! The drill hole is not in the center of the license plate. It is on the bottom edge of the license plate. Using a 3/16" diameter drill bit drill holes in the body.

Step 5:

Peel off the paper backing on the foam tape and then feed the wire through the hole you drilled and the carefully align the license plate before sticking it to the body.

Step 6:

Connect both wires from each of the license plates to the terminal blocks on the driver. There is no particular direction or polarity for the wires.

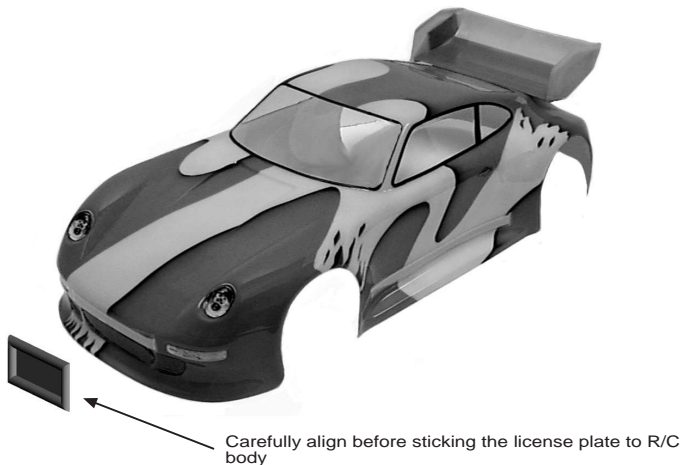
Step 7:

Using an exacto knife cut the license plate decal of your choice and stick on to the license plate.

License plate



Decal



Carefully align before sticking the license plate to R/C body

