

Installation Guide

VARAD Antenna Lighting Kit

RCN300, RCN303, RCN304, RCN305

Parts Included: See Diagram 1

1. Driver with 9 volt battery connector.
2. One clear antenna mast tube.
3. One 9" piece of Electroluminescent Cable.
4. Two pieces of foam tape.

Parts Required:

1. 9 Volt battery.

Before you begin

HIGH VOLTAGE! - The driver used for this product is a very high voltage device. Be sure to read and follow the guidelines below for safe and enjoyable fun.

1. Do not connect the battery to the driver until the antenna has been installed and connected to it.
2. Do not touch the terminals with hands or tools when the antenna is turned on.
3. Do not attempt to open the driver. Failure to do so shall void warranty.

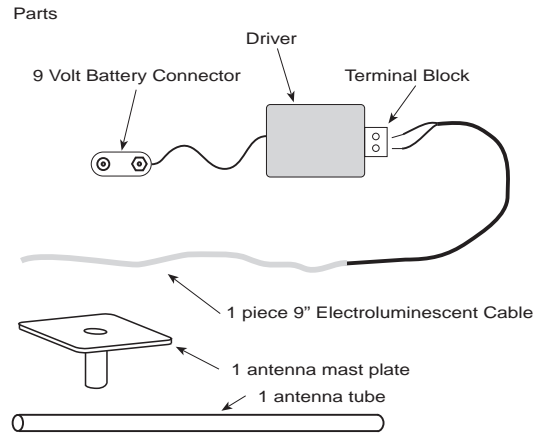


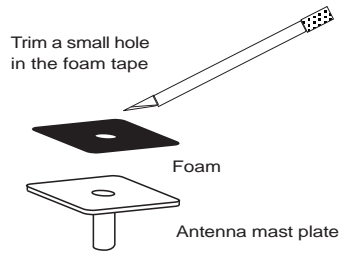
Diagram 1

Step 1: Install driver and 9 Volt Battery

Find a suitable location for installation of the driver and 9 Volt battery. It is recommended that both pieces be installed next to each other for convenience. The best location on an R/C car body are on the inside surface of the roof.

Step 2: Apply foam tape to antenna plate

Begin assembly by trimming a piece of the foam tape and attach it to the base of the antenna plate.



Step 3: Drill hole in R/C car body

Choose a location for mounting the antenna. Drill a 3/16" diameter hole carefully. Mount the antenna base plate underneath the body just beneath the hole you drilled.

Step 4: Drill hole in R/C car body

Pass the Cable thru the base plate and mount into the clear antenna tube. Be sure to rotate the antenna tube as you push the Cable into it. This will help the cable go in smoothly.

Important!
Rotate the tube as you insert the Cable into it.



Step 5:

Connect both wires from the antenna to the terminal blocks on the driver. There is no particular direction or polarity for the wires. Connect 9volt to turn on.

The R/C Neon Antenna is not a replacement for your existing RF antenna. You must keep and continue to use the R/F antenna

Mount the antenna mast plate underneath body after drilling a 3/16" diameter hole

